



NL Series Liquid Ring Vacuum Pumps

Description: **Single-Stage Liquid Ring Vacuum Pump**
Type: **Dual Cone**
Models: **NL-1000, 1500, 2000, 3000, 4000, 6000, 9000**
Power Range: **25-550 HP**
Capacity Range: **300-10,000 CFM**
Max Vacuum: **28" Hg**

Overview

Our NL series is an excellent choice for replacing or repairing your classic Nash* CL series liquid ring vacuum pump. These new replacement single stage/ dual cone pumps are designed to be drop-in replacements for the Nash* CL series. Available in NL-1000, 2000, 3000, 4000, 6000, and 9000 (up to 10,000 CFM). Standard construction is cast iron with teflon packing. NES pumps are performance tested and include a 2 year warranty.

Features

- Drop-in replacement for classic Nash* CL series.
- Standard construction is cast iron with packing seals.
- Optional 304 or 316 stainless steel construction.
- Optional viton mechanical seals available.
- Parts and repair kits readily available.
- Available as bare pump or engineered systems.
- Standard models typically ship from stock.
- 2 year factory warranty.

Materials of Construction

- Housing & Heads - Cast iron standard; 304 or 316 SS optional.
- Rotor - Cast Iron standard; 304 or 316 SS optional.
- Cones - Cast iron standard; 304 or 316 SS optional.
- Shaft - Cast steel standard; 304 or 316 SS optional.
- Seal – Teflon Packing standard; Viton mechanical seals optional.

Applications

- | | | |
|--------------|--------------------------|---------------------|
| • Autoclaves | • Chucking | • Container Filling |
| • Forming | • Cooking | • Deaerating |
| • Drying | • Evaporating | • Eviscerating |
| • Exhausting | • Extruder Venting | • Fiber Setting |
| • Filtering | • Forming | • Gas Stripping |
| • Priming | • Slot Extraction | • Solvent Recovery |
| • Molding | • Central Vacuum Systems | • Foods & Fats |



NES Company Inc.
60 Park Place/Suite 1106
Newark, NJ 07102

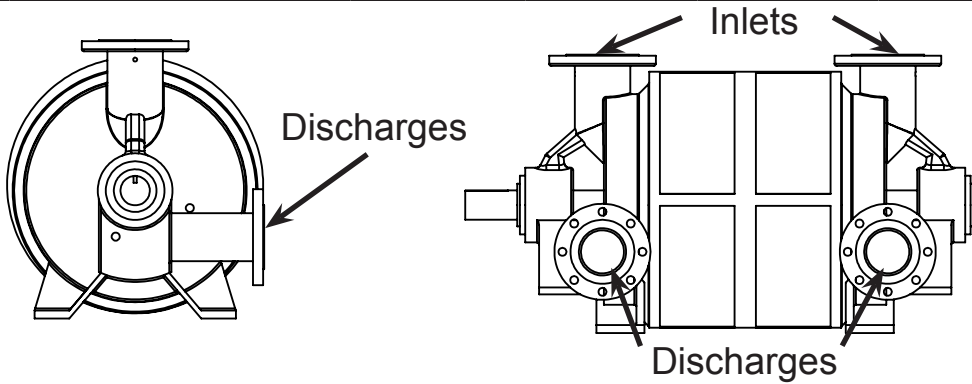
(800) 297-3550
www.nescompany.com
info@nescompany.com



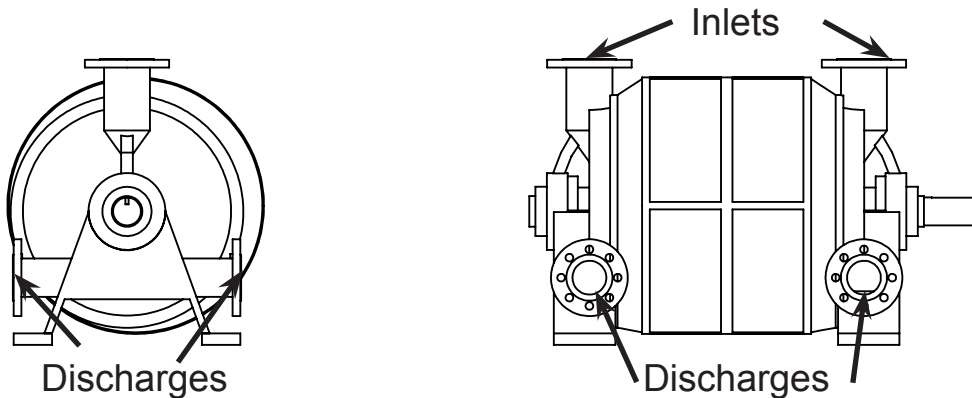
NL Series Liquid Ring Vacuum Pumps

NL Series Liquid Ring Vacuum Pumps

Model	Capacity Range [CFM]	Motor Power [HP]	Inlet [in]	Disch. [in]	Seal Water Usage [GPM]	Seal Water Size [in]	Pump Weight Dry [lbs.]
NL-400	200-430	20-30	3 FL	3 FL	5-15	3/4 NPT	500
NL-700	400-800	15-60	4 FL	3 FL	10-20	1 NPT	765
NL-1000	725-1175	40-75	5 FL	4 FL	10-30	1 NPT	1150
NL-1500	1000-1700	50-100	6 FL	4 FL	20-30	1 NPT	2015
NL-2000	1150-2200	75-150	6 FL	5 FL	10-60	1 NPT	2850
NL-3000	1400-3200	150-200	8 FL	6 FL	10-70	1 NPT	4850
NL-4000	2100-4800	200-260	10 FL	8 FL	30-100	1-1/2 NPT	8750
NL-6000	5000-7100	200-375	12 FL	10 FL	40-140	1-1/2 NPT	14000
NL-9000	7000-10000	250-500	14 FL	12 FL	50-200	3 NPT	19000



DUAL OUTLET NL-400 THRU NL-1500 LAYOUTS
See pump drawing for more details & dimensions



QUAD OUTLET NL-2000 THRU NL-9000 LAYOUTS
See pump drawing for more details & dimensions

*Nash is a registered trade mark of Gardner Denver Nash. NES Company Inc. has no affiliation with Nash, Nash Engineering or Gardner Denver Nash. The information contain herein is provided as a convenience and for informational purposes only. Performance data are subject to manufacturing variation and test conditions including but not limited to atmospheric pressure, ambient temperature, seal fluid temperature, tolerances, and materials of construction. Performance of pumps constructed fully or partially of stainless steel may be lower due to larger clearance settings. This information may contain inaccuracies, errors or omissions. All NES Company Inc. supplied products and recommendations or suggestions must be evaluated by the end user to determine applicability and suitability for any particular use. See NES Company Inc. terms & conditions of sale for additional details which may also apply.

NES Company Inc.
60 Park Place/Suite 1106
Newark, NJ 07102

(800) 297-3550
www.nescompany.com
info@nescompany.com

Rev: 1014.1
© 2013-14 NES Company Inc.