



Minuteman Cast Iron Condensate Units

For up to 10,000 EDR Systems

Description: **Minuteman Condensate Pumps**

Type: **Cast Iron Condensate Units**

Receiver Size: **6-15 Gallons**

Pump Size: **1/3 HP**

Overview:

units set the standard for quality and total cost of ownership. Our cast iron receivers are guaranteed for an industry leading 25 years and are mated to high quality bronze centrifugal pumps. Our pumps are built using industry standard electric motors. This allows our customers to easily make repairs using standard off the shelf components. The result is significant cost savings over the life of the unit.

Features:

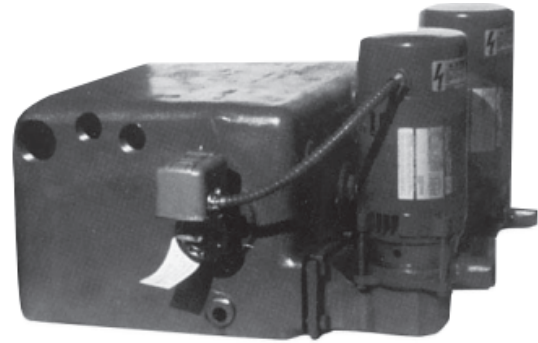
- Industry Standard Motor
- Universal availability lowers cost and down time.
- Bronze Impeller and Wear Ring.
- Superior corrosion and wear resistance increases pump life.
- Centrifugal Technology.
- Allows pump to operate at low suction head levels.
- Resistant to debris and water contamination; No strainer required.
- Receiver warranted against corrosion failure for 25 years.

Technical Specifications:

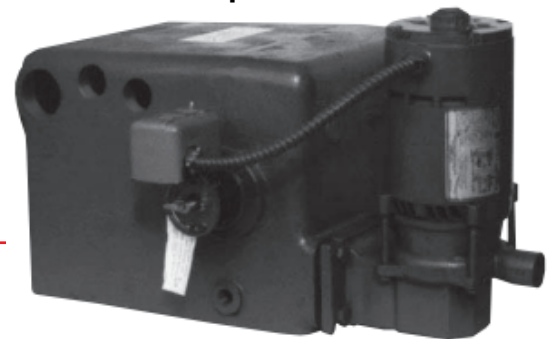
- Industry standard ODP 3500 RPM motors factory wired for 115 or 230/1/60 with built-in thermal overload protection. Bronze impeller and wear ring for extended pump life.
- Cast Iron receiver with 25 year warranty against corrosion failure for decades of service.
- Simplex units have stainless steel float switch controls to maintain optimum levels in the receiver.
- Duplex units are provided with mechanical alternators.
- Pumps are designed to efficiently pump condensate up to 200°F and mechanical seals will withstand 250°F.

How to select and order condensate units:

- Select unit size based on square foot EDR or pump gallons per minute (GPM) and pressure (PSIG).
- If EDR or pressure performance points are unknown you may determine sizing based on boiler HP or BTU/HR or Steam Lbs/Hr. Please consult NES pumps engineering if more assistance is required.



Duplex



Simplex

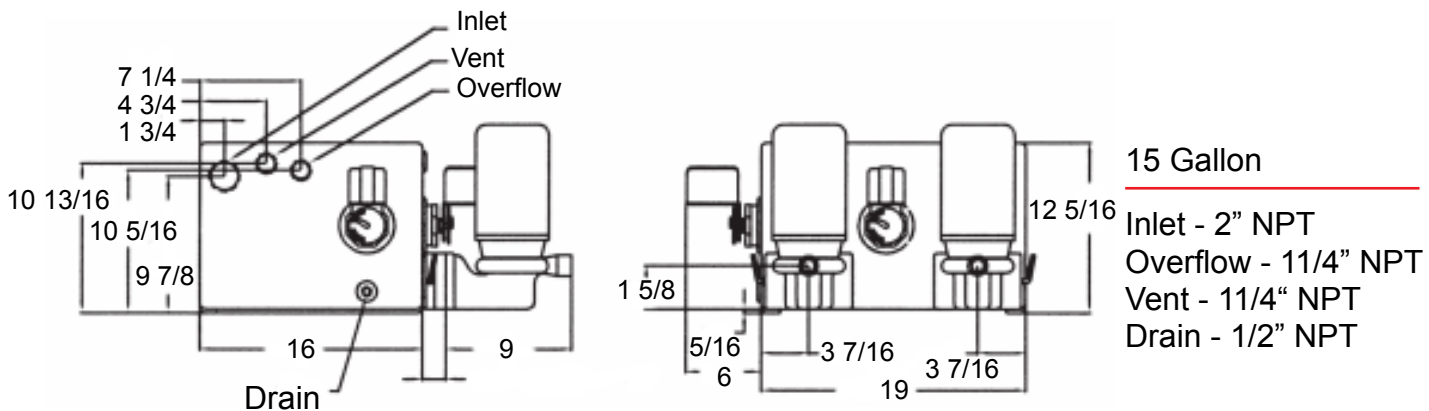
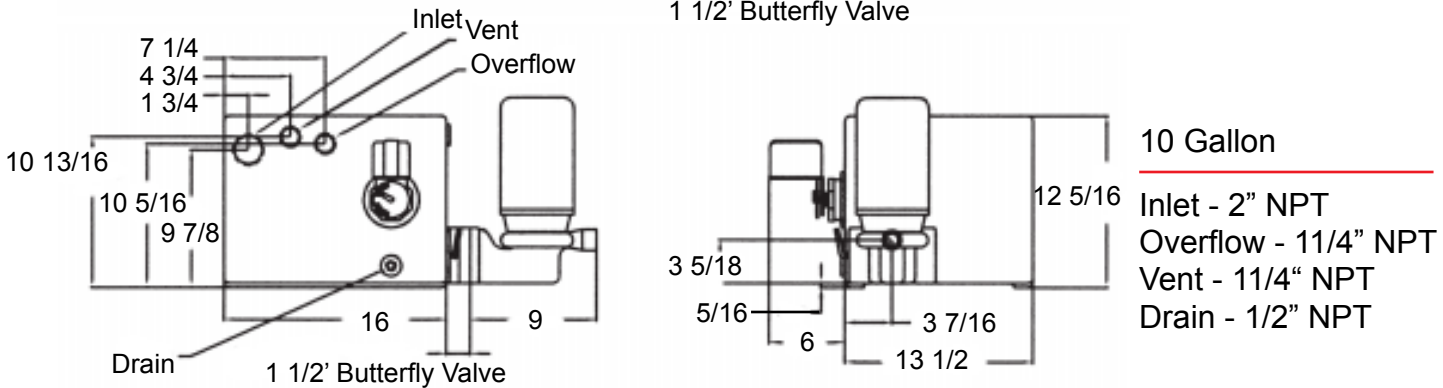
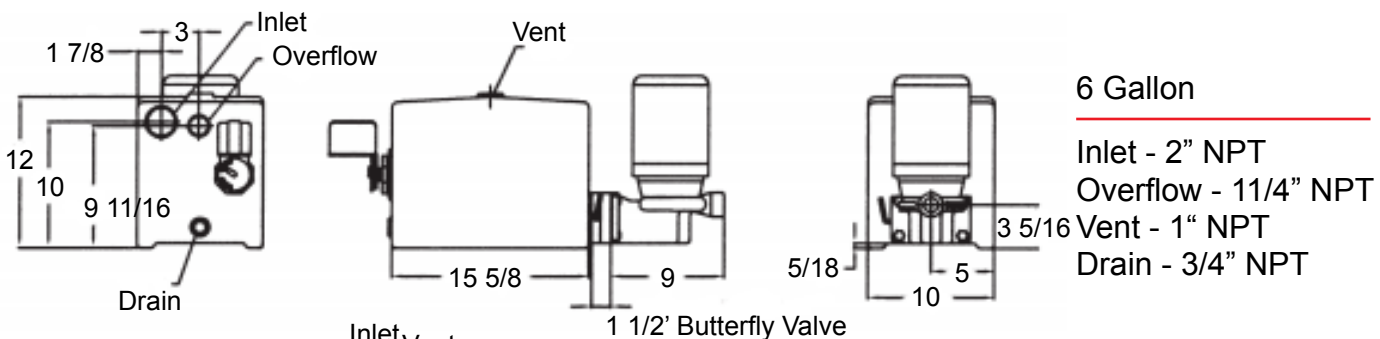


Minuteman Cast Iron Condensate Units

For up to 10,000 EDR Systems

Minuteman Cast Iron Condensate Units

System Sq. ft. EDR	Receiver Size	Pump GPM	Pump PSIG	Pump Type	Pump HP	# of Pumps	Pumps Discharge	Catalog Number
6000	6	9	20	VM33101	1/3	1	3/4	MMC-09-20-1
8000	10	12	20	VM33101	1/3	1	3/4	MMC-12-20-1
10000	15	15	20	VM33101	1/3	1	3/4	MMC-15-20-1
10000	15	15	20	VM33101	1/3	2	3/4	MMC-15-20-2



NES Company Inc.
 2500 Plaza 5/Harborside Financial Center
 Jersey City, NJ 07311

(800) 297-3550
 www.nescompany.com
 info@nescompany.com

© 2013 NES Company Inc. All rights reserved. Rev: 09.18.1