



Minuteman Steel Condensate Units

For up to 10,000 EDR Systems

Description: Minuteman Steel Condensate Pumps
Type: Cast Iron Condensate Units
Receiver: 8-15 GAL
Pump Size: 1/3 HP

Overview:

Our NES MMS Steel Condensate Units offer a low entry cost and are built with our standard high quality Bronze centrifugal pumps. Our pumps are assembled using industry standard electric motors making our systems the best long term value in the industry. This allows our customers to easily make repairs using standard off the shelf components. The result is significant cost savings over the life of the unit. Each unit consists of a receiver tank coupled to one (Simplex systems) or two (Duplex systems) liquid condensate pumps.



Features:

- Industry Standard Motor.
- Universal availability lowers cost and down time.
- Bronze Impeller and Wear Ring.
- Superior corrosion and wear resistance increases pump life.
- Centrifugal Technology.
- Allows pump to operate at low suction head levels.
- Resistant to debris and water contamination; No strainer required.



Technical Specifications:

- Industry standard ODP 3500 RPM motors factory wired for 115 or 230/1/60 with built-in thermal overload protection. Bronze impeller and wear ring for extended pump life.
- Simplex units have Stainless Steel float switch controls to maintain optimum levels in the receiver
- Duplex units are provided with mechanical alternators.
- Pumps are designed to efficiently pump condensate up to 200°F and mechanical seals will withstand 250°F.

How to select and order Condensate Units:

- Select unit size based on square foot EDR or pump gallons per minute (GPM) and pressure (PSIG).
- If EDR or pressure performance points are unknown you may determine sizing based on boiler HP or BTU/HR or Steam Lbs/Hr. Please consult NES pumps engineering if more assistance is required.

NES Company Inc.
31 Fairfield Place
West Caldwell, NJ 07006

(800) 297-3550
www.nescompany.com
info@nescompany.com

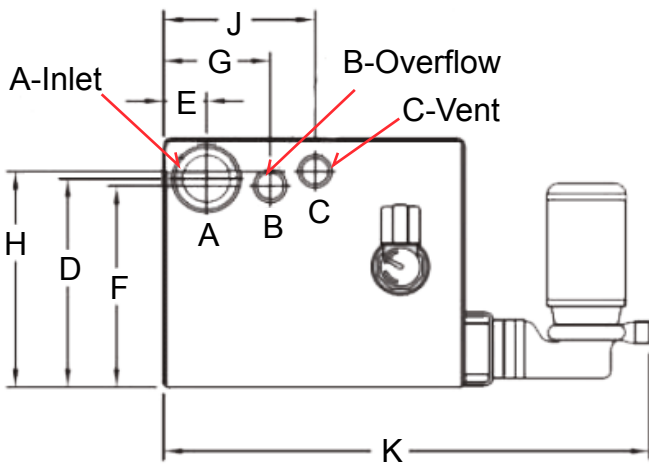


Minuteman Steel Condensate Units

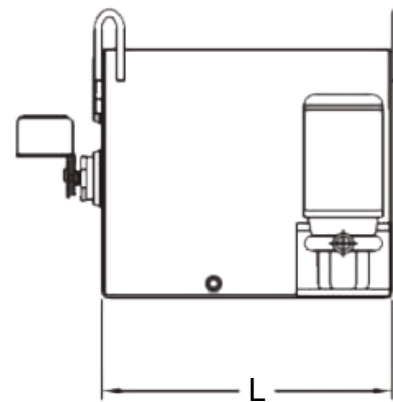
For up to 10,000 EDR Systems

Minuteman Steel Condensate Units

Model	System SQ FT EDR	Receiver Size	Pump (GPM)	Pump (PSIG)	Pump Type	Pump HP	# of Pumps	Pump Discharge
MMS-09-20-1	6000	8	9	20	VM33101	1/3	1	3/4
MMS-12-20-1	8000	8	12	20	VM33101	1/3	1	3/4
MMS-15-20-1	10000	15	15	20	VM33101	1/3	1	3/4
MMS-15-20-2	10000	15	15	20	VM33101	1/3	2	3/4

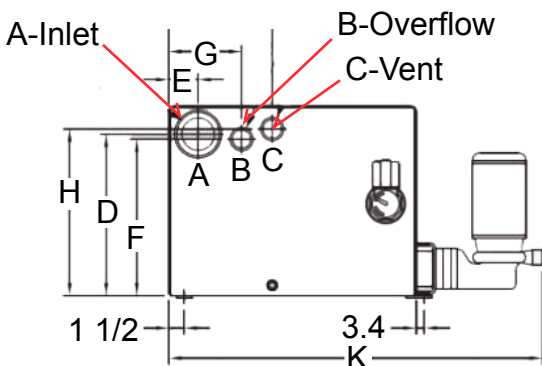


8 Gallon Steel Receiver

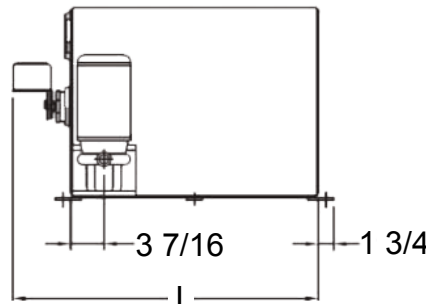


Gallons	Size	A	B	C	D	E	F	G	H	J	K	L
8	12 1/4 X 12 1/4 X 12 1/4	2	1-1/4	1-1/4	10-1/8	1-3/4	9-15/16	4-3/4	10-5/8	4-3/8	23-1/8	20
15	16 X 16 X 13	2	1-1/4	1-1/4	10-7/8	1-3/4	10-11/16	4-3/4	11-3/8	4-3/8	26-7/8	24

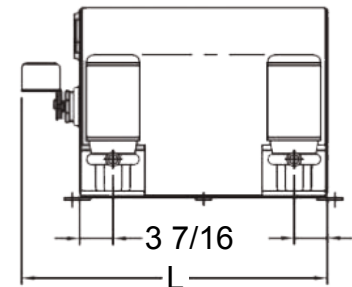
15 Gallon Steel Receiver



Single



Duplex



NES Company Inc.
31 Fairfield Place
West Caldwell, NJ 07006

(800) 297-3550
www.nescompany.com
info@nescompany.com