

NTS Series Double-Stage Port Plate Liquid Ring Vacuum Pumps



Models: NTS-140, NTS-180, NTS-300, NTS-350,
NTS-400

Description: Double-Stage Port Plate Liquid Ring Vacuum Pump

Models: NTS-110, NTS-140, NTS-180, NTS-300,
NTS-350, NTS-400, NTS-500, NTS-600,
NTS-800, NTS-1200, NTS-2300,
NTS-3300, NTS-4200

Capacity Range: 65 - 4200 CFM

Max Vacuum: 28.9" Hg

OVERVIEW

Our NTS series is an excellent choice for replacing or repairing your SIHI* LPH Series liquid ring vacuum pumps. These new replacement double stage pumps are designed to be drop-in replacements for the SIHI* LPH Series. Available in NTS-110, 140, 180, 300, 350, 400, 500, 600, 800, 1200, 2300, 3300, and 4200 (65 to 4200 CFM). Standard Construction is Cast Iron with Teflon packing. NTS Series vacuum pumps are performance tested and include a 2-year warranty against manufacturer's defects.

DESCRIPTION

These 5-20 HP sturdy vacuum pumps have high quality standard mechanical seals to ensure reliable sealing and low shaft friction. The construction of the NTS series models provides a long service life and a wide range of selection in power, ultimate vacuum level, and flow capacity. All NES vacuum pumps are factory performance tested and included a 2-year warranty against manufacturer's defects.

FEATURES

- Drop-in replacement for SIHI* LPH series
- Standard construction is Cast Iron with Teflon Packing.
- Optional 304 or 316 Stainless Steel construction.
- Optional factory installed mechanical seals
- Parts and repair kits readily available
- Available in bare pump, direct drive or V-belt systems
- 2-year factory warranty.



NOTES

NES Company is proud to offer our double stage port plate NTS Series liquid ring vacuum pumps. These new pumps have been designed to be drop-in replacements for SIHI* LPH Series vacuum pumps. NES Company Inc. NTS Series vacuum pumps are factory performance tested and include a 2-year warranty.

NES Company Inc. 333 Route 46 West, Building A, Fairfield, NJ 07004

(800) 297-3550 | www.nescompany.com | info@nescompany.com

© 2023 NES Company Inc. All rights reserved

NTS Series

Double-Stage Port Plate Liquid Ring Vacuum Pumps

Models: NTS-140, NTS-180, NTS-300, NTS-350, NTS-400



GENERAL TECHNICAL DATA

SERIES	REPLACES SIHI	MAX CFM	MAX OPERATING VACUUM [“HG]	INLET [INCH]	DISCHARGE [INCH]
NTS-110	LPH-45008	65	28.9	1.5 FL	1.5 FL
NTS-140	LPH-45311	85	28.9	1.5 FL	1.5 FL
NTS-180	LPH-45316	109	28.9	1.5 FL	1.5 FL
NTS-300	LPH-55312	167	28.9	2 FL	2 FL
NTS-350	LPH-55316	201	28.9	2 FL	2 FL
NTS-400	LPH-55320	250	28.9	2 FL	2 FL
NTS-500	LPH-65320	295	28.9	2 3/8 FL	2 3/8 FL
NTS-600	LPH-653237	362	28.9	2 3/8 FL	2 3/8 FL
NTS-800	LPH-75320	530	28.9	2 3/8 FL	2 3/8 FL
NTS-1200	LPH-85340	1059	28.9	4 FL	4 FL
NTS-2300	LPH-95354	2295	28.9	5 FL	5 FL
NTS-3300	LPH-95367	3390	28.9	6 FL	6 FL
NTS-4200	LPH-10534	4238	28.9	8 FL	8 FL

NES Company Inc. 333 Route 46 West, Building A, Fairfield, NJ 07004

(800) 297-3550 | www.nescompany.com | info@nescompany.com

© 2023 NES Company Inc. All rights reserved

NTS Series

Double-Stage Port Plate Liquid Ring Vacuum Pumps



Models: NTS-140, NTS-180, NTS-300, NTS-350, NTS-400

Variation Table

Variations	Particulars
Metallurgy	Standard Cast Iron
	Stainless Steel 304
	Stainless Steel 316L
Direction	Clockwise
	Counter- Clockwise Rotation
Purpose	Vacuum Pump
Sealing	Standard Available as Gland Packing
	Available with Single Seal
	Available with Single Cartridge Seal
	Available with Dual Cartridge Seal and Seal Pot
Configuration	Once Through
	Partial Recovery
	Full Sealant Recovery
Other System Configuration	Simplex
	Duplex
	Triplex
	Quadruplex

NES Company Inc. 333 Route 46 West, Building A, Fairfield, NJ 07004

(800) 297-3550 | www.nescompany.com | info@nescompany.com

© 2023 NES Company Inc. All rights reserved

NTS Series

Double-Stage Port Plate Liquid Ring Vacuum Pumps



Models: NTS-140, NTS-180, NTS-300, NTS-350, NTS-400

Application table

Applications

Aerospace Part Manufacturing
Automotive Part Manufacturing
Bioethanol Production
Biofuels
Defense Manufacturing
Semiconductor Manufacturing
Environmental
Laboratory and Analytics
Molded Paper Production
Oil & Gas Refining
Petrochemical Synthesis
Pharmaceuticals Manufacturing
Plastic, Rubber, Composite Manufacturing
Pulp & Paper Processing
Steelmaking
Sugar Processing
Textile and Leather Manufacturing
Tobacco Production
Waterbox Priming

Pump Weight

Series Name	Weight [lb.]
NTS-140	169.756
NTS-180	189.598
NTS-300	306.443
NTS-350	332.898
NTS-400	359.353
NTS-500	473.994
NTS-600	529.109

NES Company Inc. 333 Route 46 West, Building A, Fairfield, NJ 07004

(800) 297-3550 | www.nescompany.com | info@nescompany.com

© 2023 NES Company Inc. All rights reserved

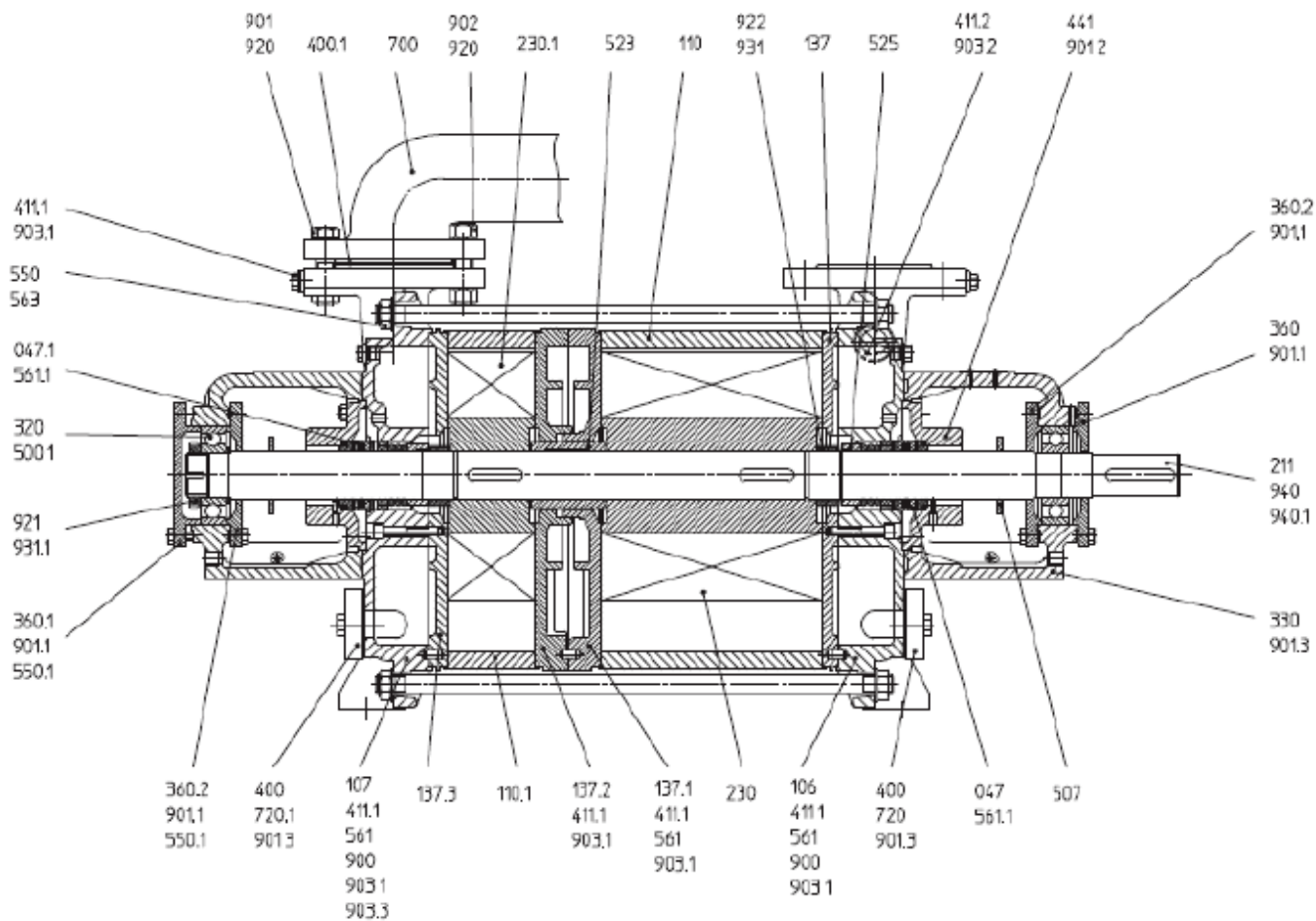
NTS Series

Double-Stage Port Plate Liquid Ring Vacuum Pumps



Models: NTS-140, NTS-180, NTS-300, NTS-350,
NTS-400

Exploded View NTS 110 – NTS 400



NES Company Inc. 333 Route 46 West, Building A, Fairfield, NJ 07004

(800) 297-3550 | www.nescompany.com | info@nescompany.com

© 2023 NES Company Inc. All rights reserved

NTS Series

Double-Stage Port Plate Liquid Ring Vacuum Pumps



Models: NTS-140, NTS-180, NTS-300, NTS-350, NTS-400

Parts List of NTS 110 – NTS 400

No.	Designation	No.	Designation	No.	Designation
047/1	Mechanical seal	400/1	Sealing	700	Pipe
106	Suction casing	411.1/.2	Sealing ring	720/1	Counter flange
107	Discharge casing	441	Shaft sealing casing	900	Hexagon socket head screw
110/1	Stage casing	500/1	Ring	901-.3	Hexagon head screw
137-.3	Inter casing	507	Splash ring	902	Stud bolt
211	Shaft	523	Spacer sleeve	903.1-.3	Screw plug
230/1	Impeller	525	Spacer sleeve	920	Hexagon nut
320	Rolling bearing	550/1	Disc	921	Shaft nut
330	Bearing housing	561/1	Cylindrical pin	922	Impeller nut
360.-2	Bearing cover	563	Casing bolt	931/1	Lock washer
				940/1	Fitting key

NES Company Inc. 333 Route 46 West, Building A, Fairfield, NJ 07004

(800) 297-3550 | www.nescompany.com | info@nescompany.com

© 2023 NES Company Inc. All rights reserved

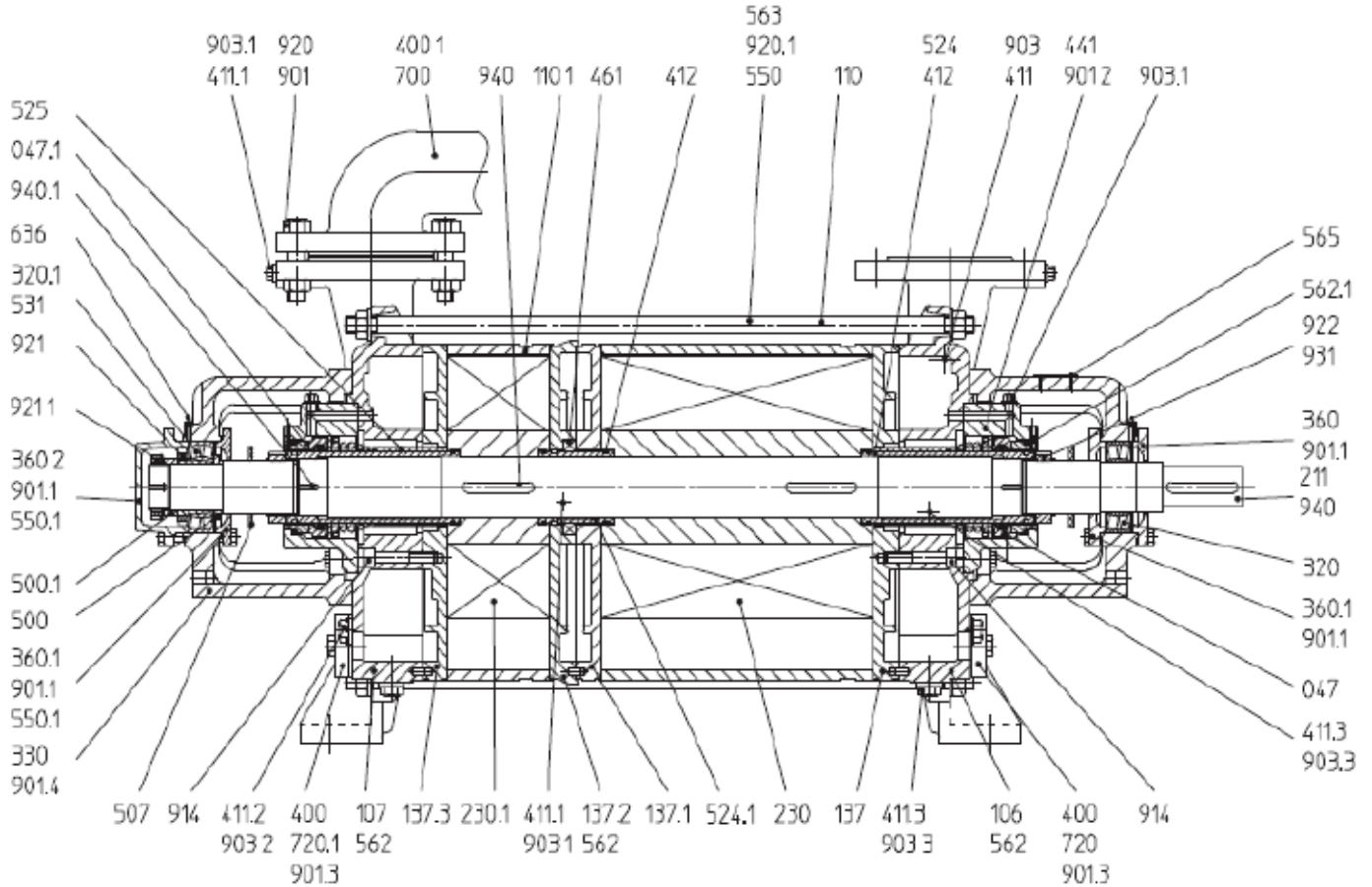
NTS Series

Double-Stage Port Plate Liquid Ring Vacuum Pumps



Models: NTS-140, NTS-180, NTS-300, NTS-350, NTS-400

Exploded View NTS 500, 600



NES Company Inc. 333 Route 46 West, Building A, Fairfield, NJ 07004

(800) 297-3550 | www.nescompany.com | info@nescompany.com

© 2023 NES Company Inc. All rights reserved

NTS Series

Double-Stage Port Plate Liquid Ring Vacuum Pumps



Models: NTS-140, NTS-180, NTS-300, NTS-350,
NTS-400

Parts List of NTS 500, 600

Part No.	Part Name	Part No.	Part Name
047/.1	Mechanical Seal	525	Spacer sleeve
106	Suction casing	531	Withdrawal sleeve
107	Discharge casing	550/.1	Disc
110/.1	Stage casing	562/.1	Cylindrical pin
137-.3	Inter casing	563	Casing bolt
211	Shaft	565	Riveted bolt
230/.1	Impeller	636	Lubrication nipple
320/.1	Rolling bearing	700	Pipe
330	Bearing housing	720/.1	Counter flange
360-.2	Bearing cover	901-.4	Hexagon head screw
400/.1	Sealing	903-.3	Screw plug
411-.3	Sealing ring	914	Hexagon socket head screw
412	O-ring	920/.1	Hexagon nut
441	Shaft sealing casing	921/.1	Shaft nut
461	Packing gland	922	Impeller nut
500/.1	Ring	931	Lock washer
507	Splash ring	940/.1	Fitting key
524/.1	Shaft protection sleeve		

Material Construction Table

Parts Name	Standard Material	Optional Material
Body	Cast Iron	304/316 Stainless Steel
Impeller	304 Stainless Steel	316 Stainless Steel
Shaft	Alloy Steel (2Cr13)	304/316 Stainless Steel
Shaft Seal	Component Mechanical Seals	Cartridge Mechanical Seal

For more information, please contact an NES representative.

NES Company Inc. 333 Route 46 West, Building A, Fairfield, NJ 07004

(800) 297-3550 | www.nescompany.com | info@nescompany.com

© 2023 NES Company Inc. All rights reserved