

NB Series

Roots Vacuum Boosters



Models: NB100, NB200, NB400, NB540, NB720, NB850, NB1200, NB1600, NB2000, NB2700, NB2900, NB3600, NB4500, NB5400, NB7300, NB7900, NB10000, NB27000, NB60000

Description: NB Roots Vacuum Pump Booster.

Models: NB100, NB200, NB400, NB540, NB720, NB850, NB1200, NB1600, NB2000, NB2700, NB2900, NB3600, NB5400, NB7300, NB7900, NB10000, NB27000, NB60000

Power Range: 3-150 HP

Capacity Range: 100-60000 CFM

Max Vacuum:

OVERVIEW

Our NB series Roots vacuum pump is manufactured to be an ideal fit for industrial market customers looking to upgrade to better efficiency or find a replacement for MD-Kinney Vacuum Boosters.

CONSTRUCTION

The NB series Roots-type vacuum booster is available with optional features, such as single-point mechanical seals, oil slinger ring seals, five-point mechanical seals, and labyrinth seals to reduce contamination and oil consumption. The booster comes with internal coating protection for corrosion resistance, making this apparatus particularly suitable for harsh process gasses such as those in the petrochemical and pharmaceutical industries.

From 100-60,000CFM and 3-150HP, the NB Series is comparable with the entire span of MD Kinney vacuum booster models. This line of robust vacuum boosters is suitable and reliable for working conditions of high temperature, high differential pressure, and high vacuum level.

FEATURES

- Competitively priced replacement for MD-Kinney Vacuum Boosters
- Standard construction is Cast Iron
- Optional Stainless-Steel construction.
- Varied selection of factory installed mechanical seals
- Parts and repair kits available
- 1-year factory warranty



NOTES

NES Company Inc. is proud to offer our NB Series high performance Roots-type vacuum boosters. With a five-point bearing design and double oil tanks, the NB Series vacuum boosters are built for roughing at high levels of vacuum. The NB Series spans a wide range of uses, from 100 to 60000 CFM at a constant ultimate vacuum level of Torr from 3 to 150 HP. For replacement of MD Kinney vacuum boosters or searching for a new vacuum booster that is the same quality with competitive pricing, NES Company Inc. highly recommends the NB Series Roots-type vacuum boosters.

NES Company Inc. 333 Route 46 West, Building A, Fairfield, NJ 07004

(800) 297-3550 | www.nescompany.com | info@nescompany.com

© 2023 NES Company Inc. All rights reserved

NB Series

Roots Vacuum Boosters

Models: NB100, NB200, NB400, NB540, NB720, NB850, NB1200, NB1600, NB2000, NB2700, NB2900, NB3600, NB4500, NB5400, NB7300, NB7900, NB10000, NB27000, NB60000



GENERAL TECHNICAL DATA

Series Name	Motor Power [HP]	CFM	Max Operating Vacuum [Torr]	Inlet [Inch]	Outlet [Inch]	Cooling Water Flow [GPM 15°C]	Seal Water Connection Size [Inch]
NB100	3	79 – 100	7.5x10 ⁻⁴	3 FL	3 FL	0.211	1/4 NPT
NB200	3	160 - 200	7.5x10 ⁻⁴	3 FL	3 FL	0.211	1/4 NPT
NB400	3	320 - 400	7.5x10 ⁻⁴	4 FL	4 FL	0.25	1/4 NPT
NB540	5	435 - 540	7.5x10 ⁻⁴	4 FL	4 FL	0.25	1/4 NPT
NB720	5	575 - 720	7.5x10 ⁻⁴	4 FL	4 FL	0.396	1/4 NPT
NB850	10	650 - 850	7.5x10 ⁻⁴	6 FL	6 FL	0.396	1/4 NPT
NB1200	10	965 - 1200	7.5x10 ⁻⁴	6 FL	6 FL	0.501	1/4 NPT
NB1600	10	1288 - 1600	7.5x10 ⁻⁴	6 FL	6 FL	0.501	1/4 NPT
NB2000	10	1600 - 2000	7.5x10 ⁻⁴	8 FL	8 FL	0.501	1/4 NPT
NB2700	15	2178 - 2700	7.5x10 ⁻⁴	10 FL	10 FL	0.739	1/4 NPT
NB2900	20	2796 - 2900	7.5x10 ⁻⁴	10 FL	10 FL	1.003	1/4 NPT
NB3600	20	3478 – 3600	7.5x10 ⁻⁴	12 FL	12 FL	1.003	1/4 NPT
NB4500	25	4450 - 4600	7.5x10 ⁻⁴	12 FL	12 FL	1.003	1/4 NPT
NB5400	30	3319 - 5503	7.5x10 ⁻⁴	14 FL	14 FL	1.505	3/8 NPT
NB7300	30	4414 - 7298	7.5x10 ⁻⁴	16 FL	16 FL	1.505	3/8 NPT
NB7900	40	7569 - 9417	7.5x10 ⁻⁴	14 FL	14 FL	2.007	3/4 NPT
NB10000	40	10229 - 12713	7.5x10 ⁻⁴	20 FL	20 FL	2.509	3/4 NPT
NB27000	74	23249 - 27916	7.5x10 ⁻⁴	24 FL	24 FL	8.717	G1
NB60000	148	57092 - 68499	7.5x10 ⁻⁴	32 FL	32 FL	13.208	G1

NES Company Inc. 333 Route 46 West, Building A, Fairfield, NJ 07004

(800) 297-3550 | www.nescompany.com | info@nescompany.com

© 2023 NES Company Inc. All rights reserved

NB Series

Roots Vacuum Boosters

Models: NB100, NB200, NB400, NB540, NB720,
 NB850, NB1200, NB1600, NB2000, NB2700,
 NB2900, NB3600, NB4500, NB5400, NB7300,
 NB7900, NB10000, NB27000, NB60000



Variation Table

Variations Table	Available Options
Metallurgy	Standard Cast Iron
	<i>For more information, please contact NES Company Inc.</i>
Purpose	Vacuum Booster
Shaft	Single Extended
Sealing	Standard single-point mechanical seal, oil slinger ring seal
	Optional five-point mechanical seal, labyrinth seal
Standard Configuration	Double oil tank, five-point bearing, internal coating
Other System Configuration	Differing coatings available
	<i>For more information, please contact NES Company Inc.</i>

NB Series

Roots Vacuum Boosters

Models: NB100, NB200, NB400, NB540, NB720,
NB850, NB1200, NB1600, NB2000, NB2700,
NB2900, NB3600, NB4500, NB5400, NB7300,
NB7900, NB10000, NB27000, NB60000



Vacuum pump Length, Height, Width & Weight

Model	Length (Inches)	Height (Inches)	Width (Inches)	Pump Weight (Lbs)
NB100	23.89	14.84	11.22	160
NB200	23.89	14.84	11.22	160
NB400	27.79	14.84	11.22	195
NB540	28.26	14.96	13.26	260
NB720	31.25	14.96	13.26	300
NB850	30.11	20	17	450
NB1200	33.62	20	17	520
NB1600	36.61	20	17	580
NB2000	40.59	20	17	685
NB2700	46.57	20	17	790
NB2900	50.39	25.62	23.03	1275
NB3600	54.33	25.62	23.03	1275
NB4500	59.33	25.62	23.03	1600
NB5400	61.41	30.74	28.34	2560
NB7300	70.07	30.74	28.34	3250
NB7900	80.59	29.4	37.55	5400
NB10000	98.62	29.4	37.55	6855
NB27000	85.67	55.9	59.76	11177
NB60000	119.64	70.87	64.56	22928

NB Series

Roots Vacuum Boosters

Models: NB100, NB200, NB400, NB540, NB720,
NB850, NB1200, NB1600, NB2000, NB2700,
NB2900, NB3600, NB4500, NB5400, NB7300,
NB7900, NB10000, NB27000, NB60000



Application table

Applications

Polycarbonate Board Manufacturing
Thermosetting Plastic Manufacturing
Molecular Distillation
Steam Recompression
Flavor and Fragrance Stripping
Tail Gas Conveying
Belt Drying
Chemical & Pharmaceutical Processing
Semiconductor Manufacturing
Vacuum Furnaces
Vacuum Melting

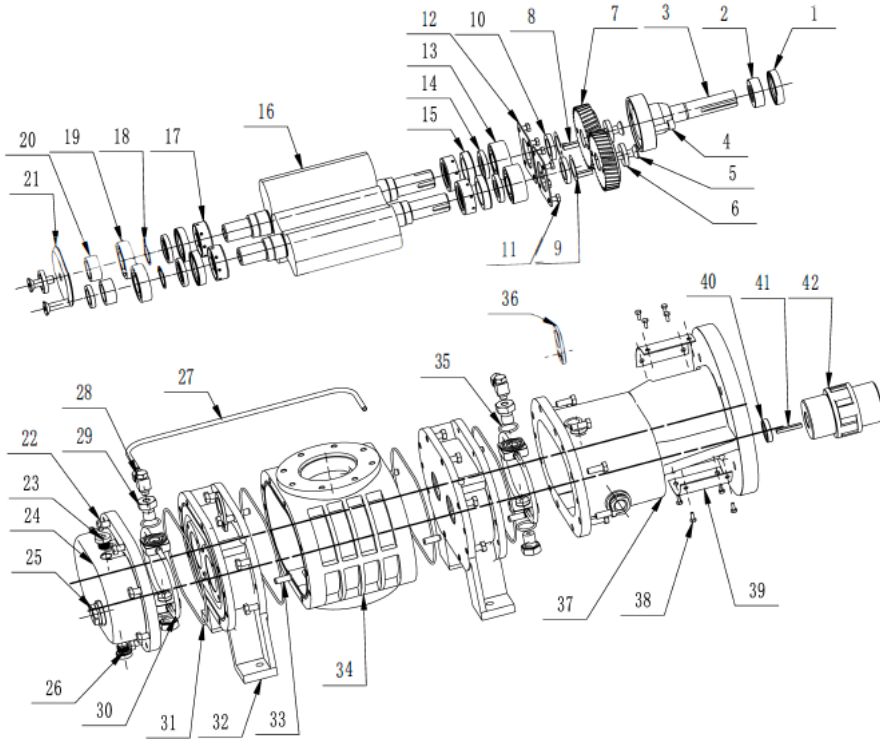
NB Series

Roots Vacuum Boosters

Models: NB100, NB200, NB400, NB540, NB720, NB850, NB1200, NB1600, NB2000, NB2700, NB2900, NB3600, NB4500, NB5400, NB7300, NB7900, NB10000, NB27000, NB60000



Exploded View of NB100, NB200 & NB400



42	Coupling	1
41	Drive Key	1
40	Skeleton Oil Seal	1
39	Protective Cover	2
38	Hexagonal bolt	8
37	Front Cover	1
36	Lifting Ring	2
35	O Seal	4
34	Pump Body	1
33	Positioning Pin	6
32	End Cover	2
31	O Seal	4
30	Oil Cooler	2
29	Water Bolt	4
28	Ferrule Fitting	2
27	External Cooling Tube	1
N.O.	Name	Quantity

26	Magnetic Plug	2
25	Oil Window	2
24	Back Cover	1
23	Plug	2
22	Hexagonal bolt	32
21	Oil Slinger	1
20	Bushing	2
19	Cylindrical Roller Bearing	2
18	Bearing Washer	2
17	Labyrinth	4
16	Rotor	2
15	Mechanical Seal Static Ring	4
14	Mechanical Dynamic Ring	4
13	Double-row Angular contact Ball Bearing	2
12	Bearing Platen	2
11	Hexagonal Bolt	8
10	Gear Washer	2
9	Gear Adjustment Gasket	1
8	Gear Key	2
7	Synchronous Gear	1
6	Shaft Washer	4
5	Hexagon Socket Countersunk Head Bolt	4
4	Hexagon Socket Head Bolt	2
3	Drive Shaft	1
2	External Mechanical Seal Dynamic Ring	1
1	External Mechanical Seal Static Ring	1
N.O.	Name	Quantity

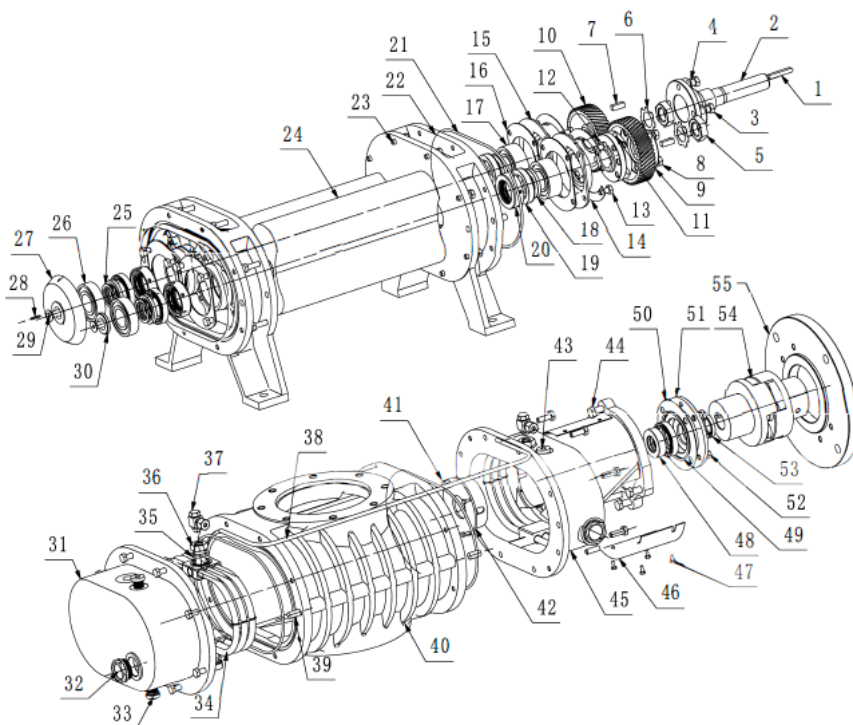
NB Series

Roots Vacuum Boosters

Models: NB100, NB200, NB400, NB540, NB720, NB850, NB1200, NB1600, NB2000, NB2700, NB2900, NB3600, NB4500, NB5400, NB7300, NB7900, NB10000, NB27000, NB60000



Exploded View of NB540 & NB720



			28	Flexible pin	1
54	Motor connection flange	1	27	Oil Slinger	1
54	Flexible coupling	1	26	Single retaining edge rotor bearing	2
53	Skeleton Oil Seal	1	25	Bearing Washer	2
52	Hexagonal bolt	4	24	Rotor	2
51	Seal seat	1	23	Hexagonal Nut	32
50	Mechanical seal adjustment gasket		22	End Cover	2
49	O-ring rubber seal	1	21	O-ring rubber seal	4
48	External Mechanical Seal Dynamic Ring	1	20	Labyrinth	4
47	Hexagonal bolt	8	19	Mechanical Seal Static Ring	5
46	Protective Cover	2	18	Mechanical Seal Dynamic Ring	4
45	Front Cover	1	17	Double-row ball bearing	2
44	Hexagonal bolt	4	16	Oil baffle	4
43	Plug	2	15	Bearing Platen	2
42	Oil collection box	1	14	Locking gasket	4
41	Phillips screw	4	13	Hexagonal Nut	16
40	Pump body	1	12	Gear Hub	1
39	Cylindrical pin	6	11	Gear Adjustment Gasket	
38	External cooling tube	1	10	Synchronous helical gear	1
37	Ferrule Fitting	2	9	Gear locking gasket	2
36	Connection lock	4	8	Hexagonal Nut	4
35	O-ring rubber seal	4	7	Gear Key	2
34	Oil Cooler	2	6	Stop Gasket	2
33	Magnetic Plug	2	5	Hexagonal Nut	2
32	Oil Window	2	4	Drive shaft locking gasket	2
31	Back Cover	1	3	Hexagonal bolt	4
30	Shaft end gasket	1	2	Drive Shaft	1
29	Hexagon socket screw with anti-panic screw	2	1	Driver Key	1
N	Name	Quantity	N	Name	Quantity

NES Company Inc. 333 Route 46 West, Building A, Fairfield, NJ 07004

(800) 297-3550 | www.nescompany.com | info@nescompany.com

© 2023 NES Company Inc. All rights reserved

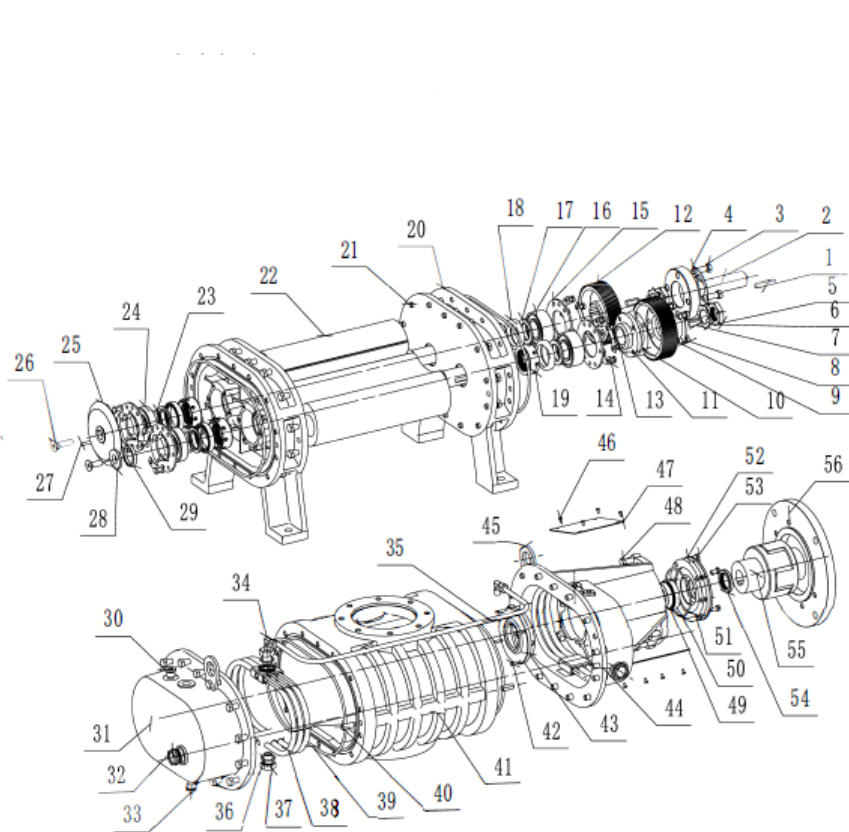
NB Series

Roots Vacuum Boosters

Models: NB100, NB200, NB400, NB540, NB720, NB850, NB1200, NB1600, NB2000, NB2700, NB2900, NB3600, NB4500, NB5400, NB7300, NB7900, NB10000, NB27000, NB60000



Exploded View of NB1200, NB1600, NB2000 & NB2700



56	Motor connection flange	1
55	Coupling	1
54	Skeleton Oil Seal	1
53	Hexagonal bolt	4
52	Seal seat	1
51	Mechanical seal adjustment gasket	1
50	O-ring seal	1
49	External Mechanical Seal	1
48	Hexagonal bolt	4
47	Coupling shield	2
46	Hexagon socket bolt	8
45	Lifting ring	2
44	Front cover	1
43	Oil collection box	1
42	Hexagonal bolt	4
41	Pump body	1
40	Positioning pin	6
39	O-ring seal	4
38	Oil Cooler	2
37	Water Bolt	4
36	O-ring seal	4
35	Cooling tube	1
34	Ferrule Fitting	2
33	Magnetic Plug	2
32	Oil Window	2
31	Back cover	1
30	Plug	2
29	Gasket	1
N	Name	Q
O	Quantity	ntity

28	Shaft Washer	1
27	Flexible pin	1
26	Hexagon Socket Countersunk Head Bolt	2
25	Oil Slinger	1
24	Cylindrical Roller Bearing	2
23	Bearing Washer	2
22	Rotor	2
21	Hexagonal bolt	56
20	End Cover	2
19	Labyrinth	4
18	Mechanical Seal Static Ring	4
17	Mechanical Seal Dynamic Ring	4
16	Double-row Angular Contact Ball Bearing	2
15	Bearing Flaten	4
14	Locking gasket	6
13	Hexagonal bolt	18
12	Synchronous Gear	1
11	Gear Hub	1
10	Gear Adjustment Gasket	2
9	Gear locking gasket	2
8	Hexagonal Nut	4
7	Gear Key	2
6	Stop Gasket	2
5	Hexagonal Nut	2
4	Locking gasket	2
3	Hexagonal bolt	4
2	Drive Shaft	1
1	Driver Key	1
N	Name	Q
O	Quantity	ntity

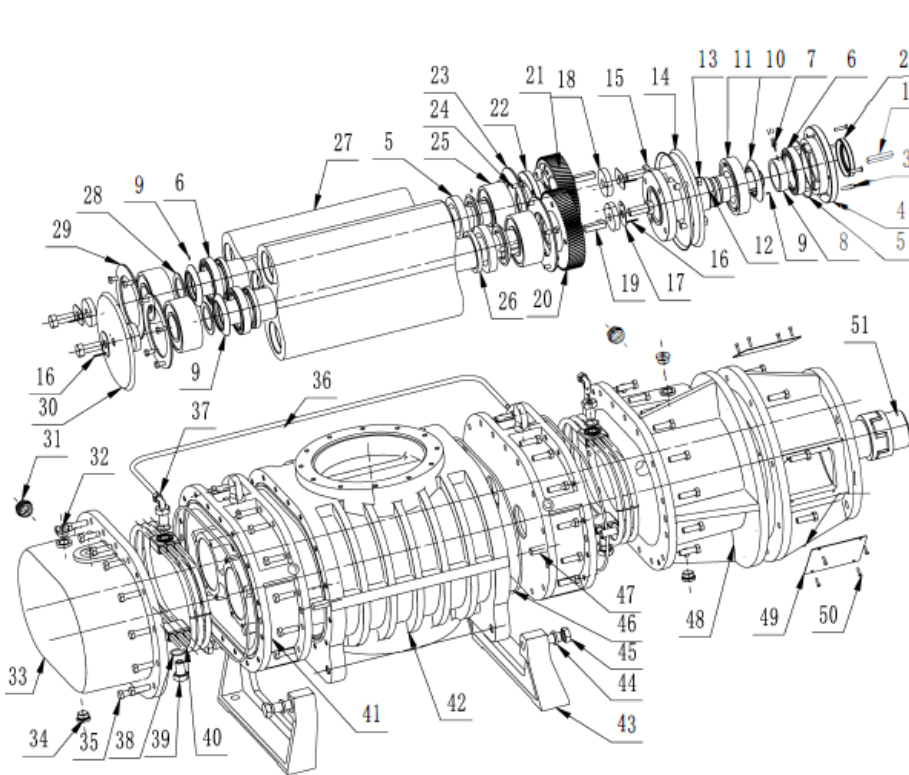
NB Series

Roots Vacuum Boosters

Models: NB100, NB200, NB400, NB540, NB720, NB850, NB1200, NB1600, NB2000, NB2700, NB2900, NB3600, NB4500, NB5400, NB7300, NB7900, NB10000, NB27000, NB60000



Exploded View of NB2900, NB3600 & NB4500



51	Coupling	1
50	Hexagonal bolt	8
49	Protective Cover	2
48	Front Cover	1
47	Positioning pin	6
46	O-ring seal	4
45	Hexagonal bolt	4
44	Flexible gasket	4
43	Pump foot	2
42	Pump body	1
41	End Cover	2
40	Oil cooler	2
39	Water bolt	4
38	O-ring seal	4
37	Ferrule Fitting	2
36	External cooling tube	1
35	Hexagonal bolt	72
34	Magnetic Plug	2
33	Back cover	1
32	Plug	2
31	Oil window	2
30	Oil Slinger(back)	1
29	Bearing Platen(back)	2
28	Bearing gasket	2
27	Rotor	2
N.O.	Name	Quantity

26	Labyrinth	4
25	Double-row Angular Contact Ball Bearing	4
24	Hexagonal bolt	16
23	Bearing Platen(front)	2
22	Gear Hub	1
21	Gear Adjustment Gasket	1
20	Synchronous Gear	1
19	Gear key	2
18	Shaft end gasket	4
17	Locking gasket	2
16	Flexible pin	4
15	Hexagonal bolt	4
14	Oil Slinger(front)	2
13	Hexagonal bolt	4
12	Drive Shaft	1
11	Cylindrical Roller Bearing	1
10	Mechanical Seal Dynamic Ring	5
9	Flexible pin	5
8	Dynamic ring retainer	1
7	Hexagon socket set screws	3
6	Mechanical Seal Static Ring	5
5	O-ring seal	1
4	Seal seat	1
3	Hexagon Socket Countersunk Head Bolt	4
2	Skeleton Oil Seal	1
1	Driver Key	1
N.O.	Name	Quantity

NES Company Inc. 333 Route 46 West, Building A, Fairfield, NJ 07004

(800) 297-3550 | www.nescompany.com | info@nescompany.com

© 2023 NES Company Inc. All rights reserved

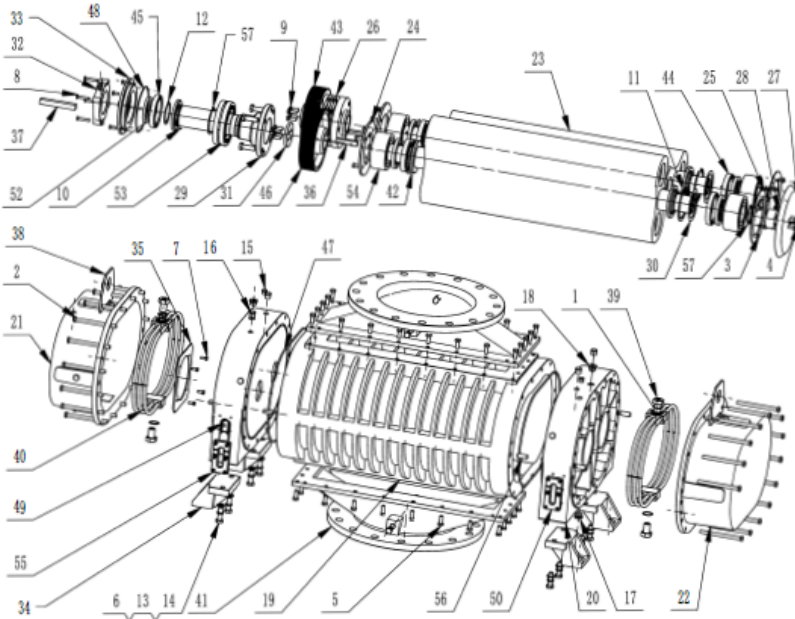
NB Series

Roots Vacuum Boosters

Models: NB100, NB200, NB400, NB540, NB720, NB850, NB1200, NB1600, NB2000, NB2700, NB2900, NB3600, NB4500, NB5400, NB7300, NB7900, NB10000, NB27000, NB60000



Exploded View of NB5400 & NB7300



57	Shaft retaining ring	2	28	Oil Slinger Gasket	1
56	Shaft retaining ring	2	27	Oil Slinger	1
55	Cylindrical pin	8	26	Gear Adjustment Gasket	10
54	Hexagon socket screw	24	25	Retaining ring	2
53	Double row tapered roller bearing	4	24	Bearing platen	2
52	Spherical Roller Bearings	1	23	Rotor	2
51	Skeleton Oil Seal	1	22	Back cover	1
50	Sight glass platen	4	21	Front cover	1
49	O-ring seal	4	20	End cover	2
48	O-ring seal	1	19	Pump body	1
47	O-ring seal	2	18	Plug	2
46	Drive gear	1	17	Magnetic Plug	2
45	Mechanical Seal Static Ring	5	16	Plug	16
44	Mechanical Seal Dynamic Ring	5	15	Plug	4
43	Driven gear	1	14	Flat washer	8
42	Labyrinth	4	13	Flexible gasket	8
41	Air inlet and outlet connector	2	12	Elastic retaining ring for shaft	1
40	Oil cooler	2	11	Elastic retaining ring for hole	4
39	Water Bolt	4	10	Flexible pin	5
38	Lifting ring	2	9	Hexagonal bolt	8
37	Drive key	1	8	Hexagonal bolt	4
36	Gear Key	2	7	Hexagonal bolt	8
35	Oil baffle	1	6	Hexagonal bolt	12
34	Pump foot	4	5	Hexagonal bolt	44
33	Seal seat	1	4	Hexagonal bolt	4
32	Seal seat cover	1	3	Hexagonal bolt	16
31	Shaft Gasket	2	2	Hexagonal bolt	32
30	Mechanical seal gasket	2	1	O-ring seal	4
29	Drive shaft	1	N	Qty	
N	Name	Qty	N	Name	Qty

NES Company Inc. 333 Route 46 West, Building A, Fairfield, NJ 07004

(800) 297-3550 | www.nescompany.com | info@nescompany.com

© 2023 NES Company Inc. All rights reserved

NB Series

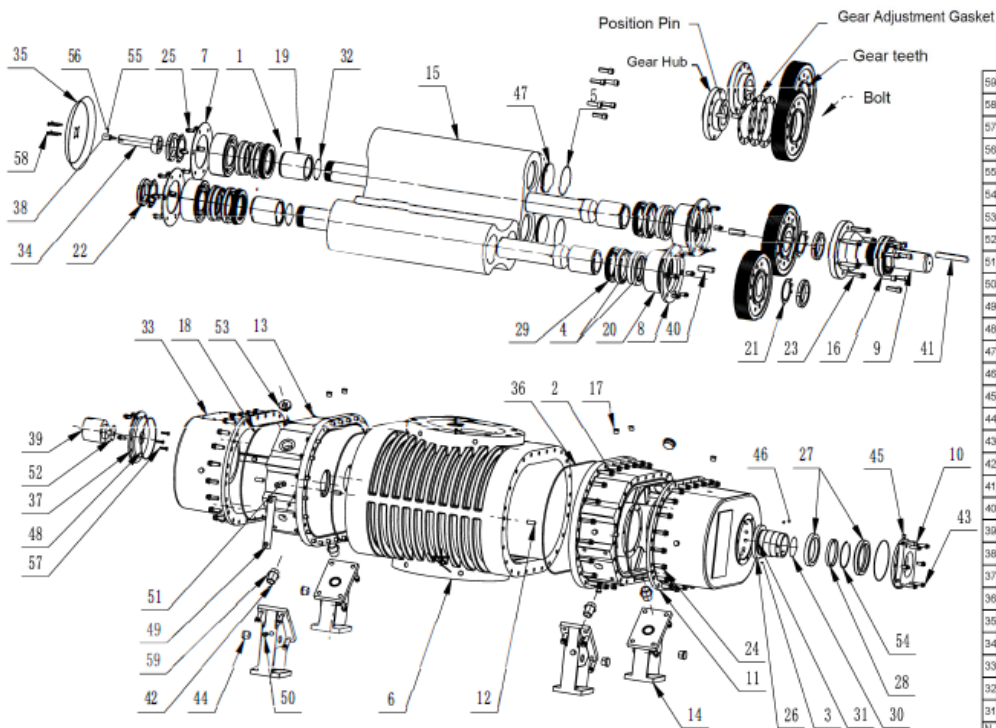
Roots Vacuum Boosters

Models: NB100, NB200, NB400, NB540, NB720, NB850, NB1200, NB1600, NB2000, NB2700, NB2900, NB3600, NB4500, NB5400, NB7300, NB7900, NB10000, NB27000, NB60000



NES COMPANY

Exploded View of NB7900 & NB10000



59	O-ring seal	4	30	O-ring seal	1
58	Hexagonal head bolt	4	29	Labyrinth	1
57	Hexagonal head bolt	4	28	Double row Angular Contact Ball Bearing	1
56	Hexagon socket set screw	1	27	External mechanical seal	1
55	Basic cylindrical pin	1	26	Dynamic ring locking set	1
54	Spherical retaining cap	1	25	Flange Face Bolt	32
53	Hexagon socket set plug	1	24	Flange Face Bolt	64
52	O-ring seal	2	23	Flange Face Bolt	6
51	Female and male thread fitting	1	22	Round nut	4
50	Female and male thread fitting	1	21	Stop washers for round nut	4
49	Oil Level Indicator	1	20	Double-row Angular Contact Ball Bearing	4
48	O-ring seal	8	19	Bushing	4
47	Rotor cover plate	8	18	O-ring seal	2
46	Hexagon socket set screw	2	17	Plug	20
45	Plug	4	16	Spherical Bearing	1
44	WHP Hexagonal plug head	4	15	Rotor	2
43	Torque split ball bearing	4	14	Pump foot	4
42	Preheating tube	4	13	End cover	2
41	Drive key	1	12	Cylindrical pin	8
40	Gear key	2	11	Front cover	1
39	Oil pump	2	10	Seal seat	1
38	Oil pump shaft	1	9	Drive shaft	1
37	Oil pump seal	1	8	Bearing platen	2
36	O-ring seal	2	7	Retaining ring	2
35	Oil Slinger	1	6	Pump body	1
34	Oil pump drive shaft	1	5	O-ring seal	8
33	Back cover	1	4	Mechanical seal	4
32	O-ring seal	4	3	Basic cylindrical pin	1
31	O-ring seal	1	2	Flange Face Bolt	60
N	Name	Qty	1	Basic cylindrical pin	8
O					Qty
					End

NES Company Inc. 333 Route 46 West, Building A, Fairfield, NJ 07004

(800) 297-3550 | www.nescompany.com | info@nescompany.com

© 2023 NES Company Inc. All rights reserved

NB Series

Roots Vacuum Boosters

Models: NB100, NB200, NB400, NB540, NB720,
 NB850, NB1200, NB1600, NB2000, NB2700,
 NB2900, NB3600, NB4500, NB5400, NB7300,
 NB7900, NB10000, NB27000, NB60000



Material Construction.

NO	Parts Name	NB200、NB400		NB540、NB720		
		Oil Seal	Quantity Mechanical Seal	Oil Slinger	Quantity Oil Seal	Quantity Mechanical Seal
1	Double row angular contact ballbearing	2	2	2	2	2
2	Roller bearing	2	2	2	2	2
3	Mechanical seal (inside)	/	4	/	/	4
4	Mechanical seal (outside)	1	1	1	1	1
5	Labyrinth Seal	4	4	/	4	4
6	Oil slinger dynamic ring	/	/	4	/	/
7	Oil slinger static ring	/	/	4	/	/
8	Skeleton Oil Seal (inside)	4	/	/	4	/
9	Skeleton Oil Seal (outside)	1	1	1	1	1
10	O-Ring (end cover)	4	4	4	4	4
11	O-Ring (sealing seat)	/	/	1	1	1
12	Coupling elastomer	1	1	1	1	1
13	Gear key	2	2	2	2	2
14	Gear adjustment gasket	10	10	10	10	10
15	Mechanical seal adjustment gasket	/	/	10	10	10
16	Bearing washer	2	2	2	2	2
17	Hexagon socket countersunk headscrew	4	4	2	2	2
18	Hexagon socket bolt	2	2	/	/	/
19	Stop washers for round nut	/	/	2	2	2
20	Lock washer	/	/	4	4	4
21	Drive shaft lock washer	/	/	2	2	2

NES Company Inc. 333 Route 46 West, Building A, Fairfield, NJ 07004

(800) 297-3550 | www.nescompany.com | info@nescompany.com

© 2023 NES Company Inc. All rights reserved

NB Series

Roots Vacuum Boosters

Models: NB100, NB200, NB400, NB540, NB720,
NB850, NB1200, NB1600, NB2000, NB2700,
NB2900, NB3600, NB4500, NB5400, NB7300,
NB7900, NB10000, NB27000, NB60000



NO.	Parts Name	NB850、NB1200、NB1600、 NB2000、NB2700		NB2900、 NB3600、 NB4500	
		Oil Slinger	Quantity Oil Seal	Mechanical Seal	Quantity Mechanical Seal
1	Double row angular contact ballbearing	2	2	2	4
2	Roller bearing	2	2	2	1
3	Mechanical seal (inside)	/	/	4	4
4	Mechanical seal (outside)	1	1	1	1
5	Labyrinth Seal	/	4	4	1
6	Oil slinger dynamic ring	4	/	/	/
7	Oil slinger static ring	4	/	/	/
8	Skeleton Oil Seal (inside)	/	4	/	/
9	Skeleton Oil Seal (outside)	1	1	1	1
10	O-Ring (end cover)	4	4	4	4
11	O-Ring (sealing seat)	1	1	1	1
12	Coupling elastomer	1	1	1	1
13	Gear key	2	2	2	2
14	Gear adjustment gasket	10	10	10	10
15	Mechanical seal adjustment gasket	10	10	10	/
16	Bearing washer	2	2	2	2
17	Hexagon socket countersunk headscrew	2	2	2	4
18	Hexagon socket bolt	/	/	/	/
19	Stop washers for round nut	2	2	2	/
20	Lock washer	6	6	6	4
21	Drive shaft lock washer	2	2	2	/

NES Company Inc. 333 Route 46 West, Building A, Fairfield, NJ 07004

(800) 297-3550 | www.nescompany.com | info@nescompany.com

© 2023 NES Company Inc. All rights reserved

NB Series

Roots Vacuum Boosters

Models: NB100, NB200, NB400, NB540, NB720,
NB850, NB1200, NB1600, NB2000, NB2700,
NB2900, NB3600, NB4500, NB5400, NB7300,
NB7900, NB10000, NB27000, NB60000



NO.	Parts Name	NB5400、NB7300	NB7900、NB10000
1	Double row angular contact ball bearing	4	4
2	Self-aligning bearing	1	1
3	Mechanical seal (inside)	4	4
4	Mechanical seal (outside)	1	1
5	Labyrinth Seal	4	4
6	Oil slinger dynamic ring	/	/
7	Oil slinger static ring	/	/
8	Skeleton Oil Seal (inside)	/	/
9	Skeleton Oil Seal (outside)	1	/
10	O-Ring (end cover)	2	4
11	O-Ring (sealing seat)	1	1
12	Coupling elastomer	/	/
13	Gear key	2	2
14	Gear adjustment gasket	10	10
15	Mechanical seal adjustment gasket	/	/
16	Bearing washer	2	
17	Hexagon socket countersunk head screw	/	/
18	Hexagon socket bolt	/	/
19	Stop washers for round nut	/	4
20	Lock washer	/	/
21	Drive shaft lock washer	/	/

NES Company Inc. 333 Route 46 West, Building A, Fairfield, NJ 07004

(800) 297-3550 | www.nescompany.com | info@nescompany.com

© 2023 NES Company Inc. All rights reserved